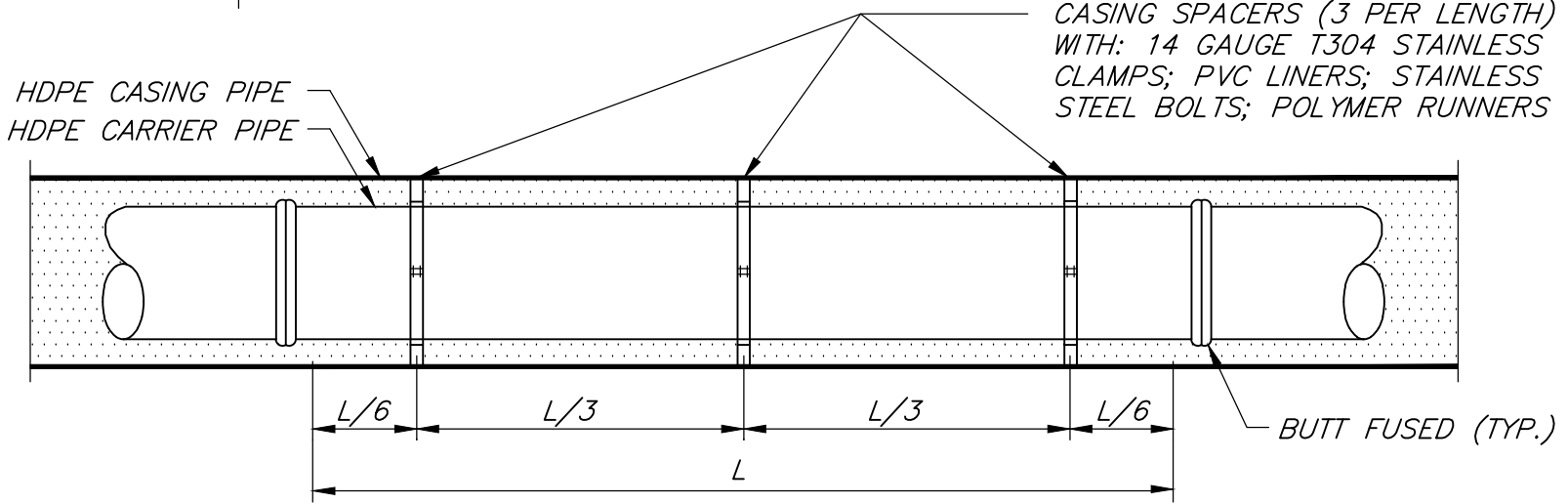
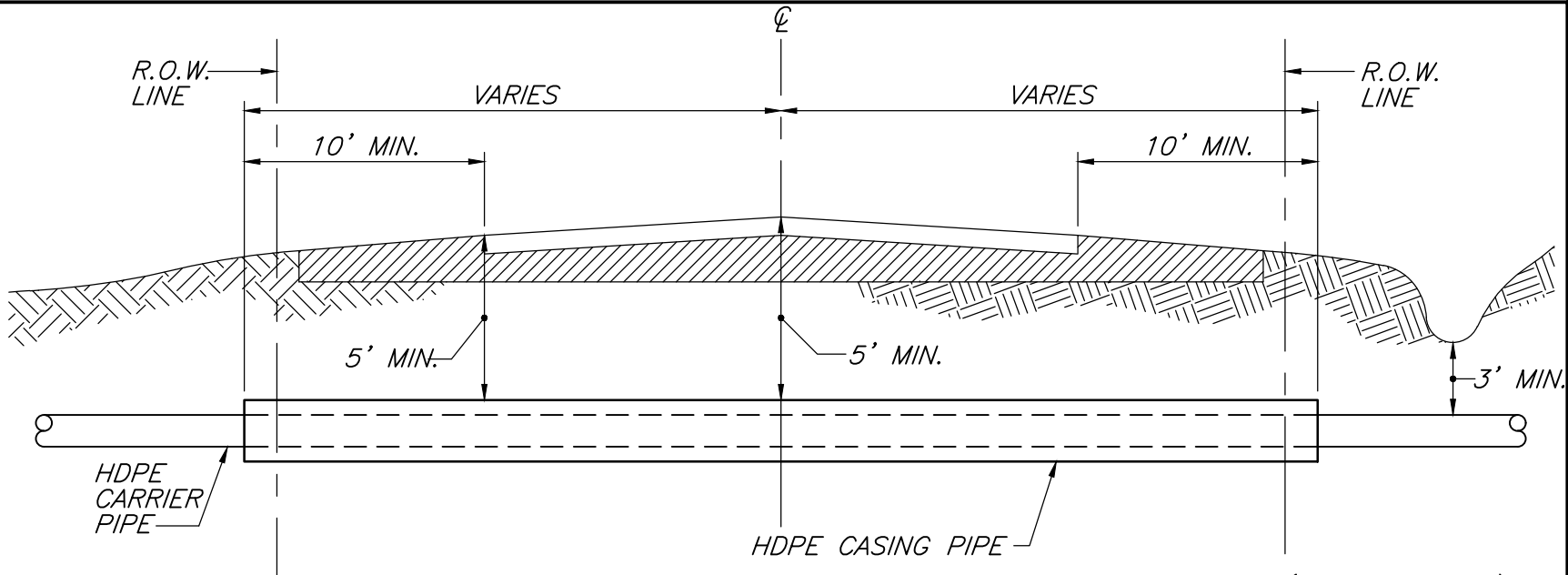
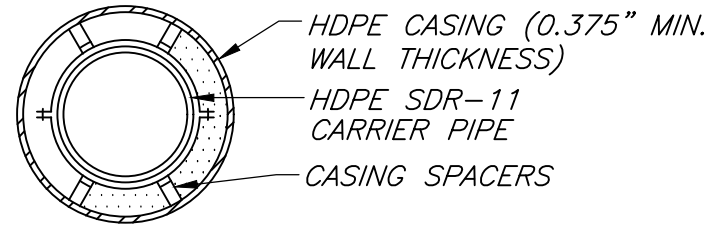


REVISIONS		DATE	COMMENTS
		02/2020	CLARIFIED CASING PIPE MATERIAL

ISSUE DATE: JUNE 2015



- NOTES:
- 1) FILL VOID WITH NYSDOT ITEM #204.02 CONTROLLED LOW STRENGTH MATERIAL (COMPRESSIVE STRENGTH: 50-100 PSI)
  - 2) CASING PIPE SHALL FOLLOW STANDARDS OF RAILROAD COMPANY AT RAILROAD CROSSINGS.



**TYPICAL ROAD CROSSING WITH HDPE CARRIER PIPE**

N.T.S.

TOWN OF BATAVIA  
 WATER DETAILS  
 TYPICAL ROAD CROSSING WITH HDPE CARRIER PIPE  
 DRAWING W-14B