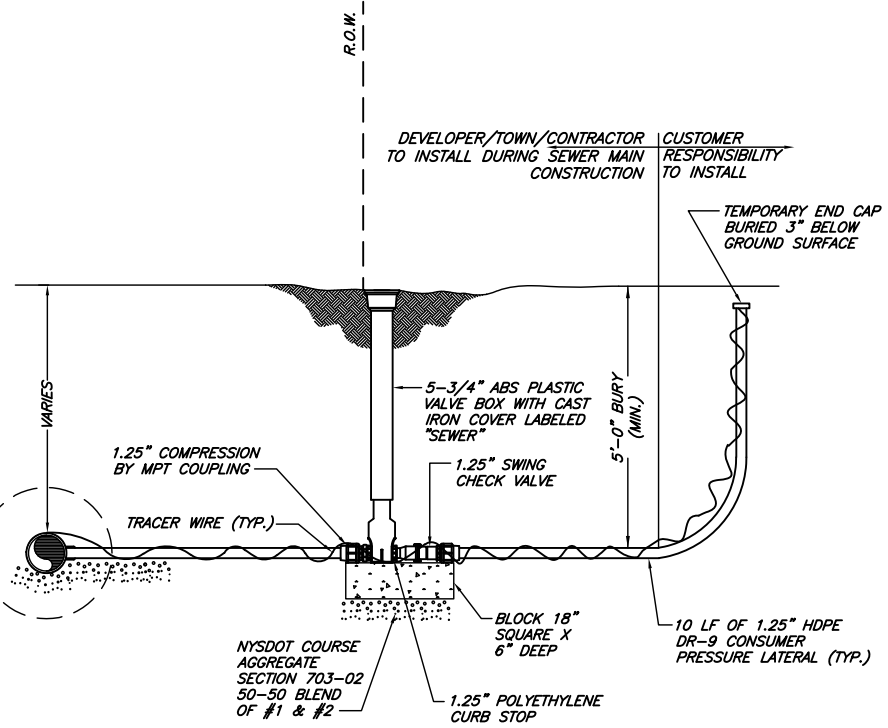
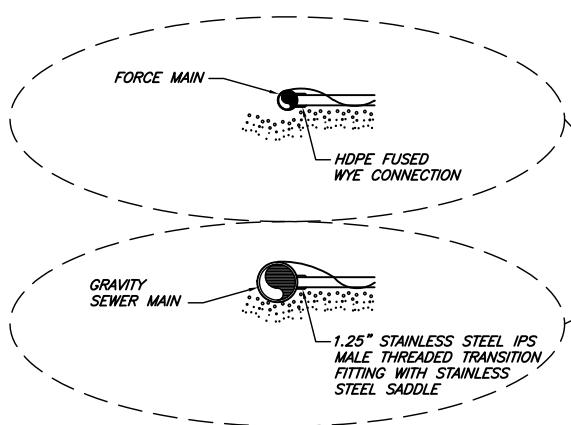
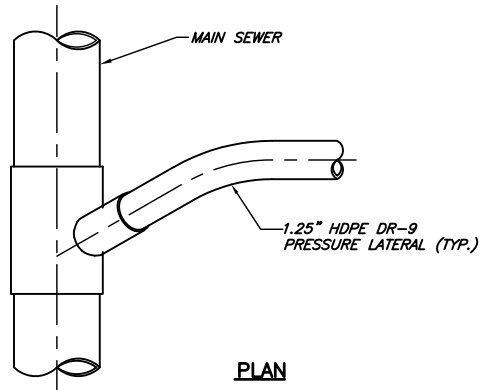


REVISIONS	
DATE	COMMENTS
02/2020	BURY DEPTH ADDED

ISSUE DATE: OCTOBER 2018

TOWN OF BATAVIA
SANITARY SEWER DETAILS
PRESSURE LATERAL CONNECTION: MAIN TO CURB BOX
DRAWING S-22A



TYPICAL RESIDENTIAL PRESSURE LATERAL CONNECTION

- NOTES:
 1. NO BRASS OR IRON ALLOWED.
 2. REFER TO MATERIAL LIST, S-03.