

NOTE: PRECAST CONCRETE MANHOLE SECTION IS AN ALTERNATE ONLY—THE TOWN USES A 4' SQ. METER VAULT W/36" SQ. SYRACUSE CASTING ALUMINUM HATCH

2" FLANGED COMPANION STRAIGHT THROUGH CONNECTIONS W/ GASKETS AND WASHERS

PRECAST CONC. FLAT SLAB TOP, STEEL REINFORCED TO CONFORM TO A.S.T.M C-76

R.O.W. OR PROPERTY LINE

CURB STOP AND BOX, MODEL FORD EA 2-50-40-42R WITH STAINLESS STEEL ROD AND CB-7 CURB BOX BASE

PLAN VIEW

CURB STOP SHUTOFF, MODEL FORD B11-777, WITH CURB BOX MODEL FORD EA 2-50-40-42R WITH STAINLESS STEEL ROD AND CB-7 CURB BOX BASE

4"Ø HOLE

2" WATER METER MODEL SENSUS SR-EBII

CURB STOPS, MODEL FORD B11-777 (TYP.)

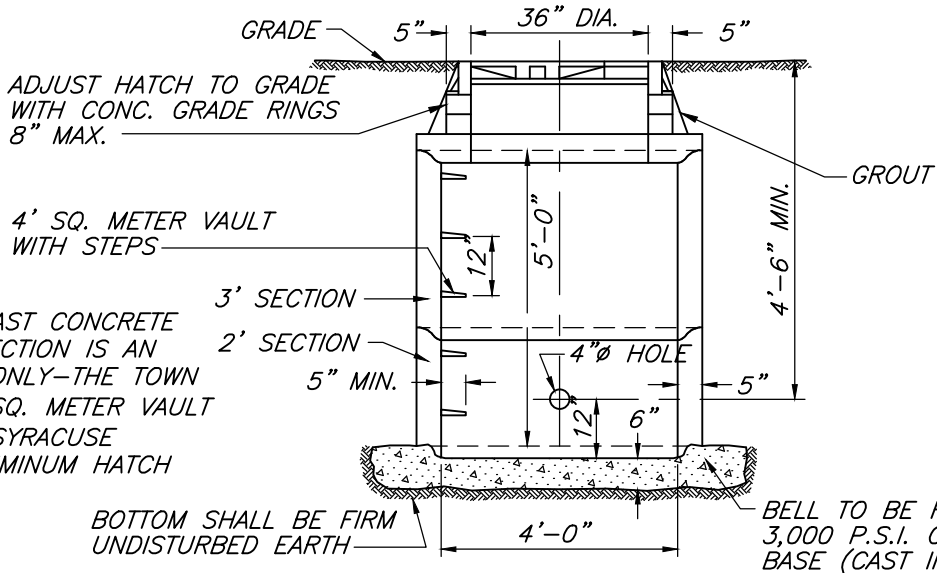
4"Ø HOLE

VAULT TO HAVE MIN. OF 1 FT. SETBACK FROM ROAD R.O.W. OR EASEMENT LINE

SERVICE LINE

CORPORATION STOP, MODEL FORD FB1100-7-Q

STAINLESS STEEL SERVICE SADDLE, MODEL FORD FS303-xxx-CC



NOTE: PRECAST CONCRETE MANHOLE SECTION IS AN ALTERNATE ONLY—THE TOWN USES A 4' SQ. METER VAULT W/36" SQ. SYRACUSE CASTING ALUMINUM HATCH

NOTES:

- 1) MORTAR TO BE PLACED BETWEEN SERVICE LINE AND WALL OF MANHOLE AFTER INSTALLATION OF SERVICE LINE AND WATER METER.
- 2) MANHOLE SECTIONS SHALL BE SET IN A FULL BED OF APPROVED MORTAR.
- 3) CONCRETE SUPPORT SHALL BE PLACED UNDER WATER METER AFTER INSTALLATION.
- 4) STAINLESS STEEL INSERTS SHALL BE USED AT ALL PE CONNECTIONS, MODEL MUELLER INSERT-55.

CROSS SECTION VIEW

TYPICAL VAULT FOR 2" WATER METER INSTALLATIONS

N.T.S.

MARCH 2010

REVISIONS		TOWN OF BATAVIA WATER DETAILS
DATE	COMMENTS	
		TYPICAL VAULT FOR 2" WATER METER INSTALLATIONS
		DRAWING W-18