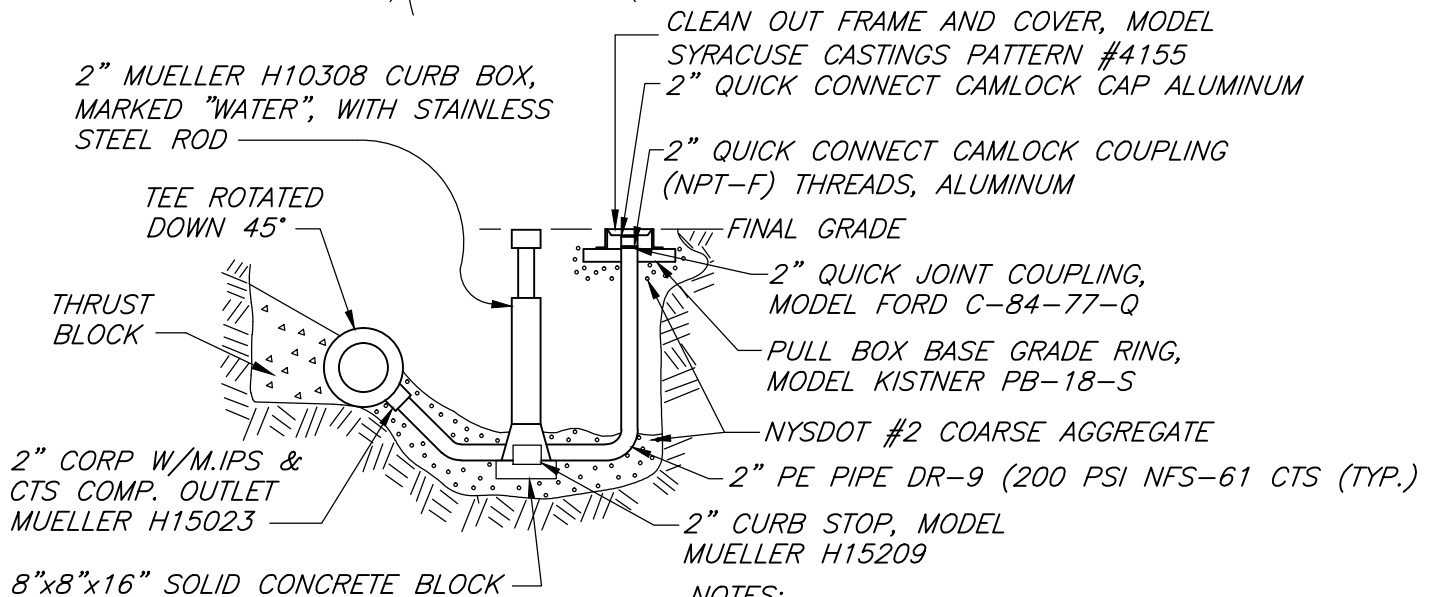


NOTE: TEE SHOWN LEVEL W/MAIN FOR CLARIFICATION ONLY



**NOTES:**

- 1) STAINLESS STEEL INSERTS SHALL BE USED AT ALL PE CONNECTIONS, MODEL MUELLER-55.
- 2) DIP FITTINGS SHALL BE WRAPPED WITH 2 MIL. THICK POLYETHYLENE, 2 FEET BEYOND THE END OF THE FITTING ON THE PVC PIPE.
- 3) ALL BOLTS AND NUTS SHALL BE FLUOROCARBON COATED.

# 2" BLOW-OFF AND THRUST BLOCK DETAIL

N.T.S.

MARCH 2010

REVISIONS		TOWN OF BATAVIA WATER DETAILS
DATE	COMMENTS	
		2" BLOW-OFF AND THRUST BLOCK DETAIL
DRAWING W-02		