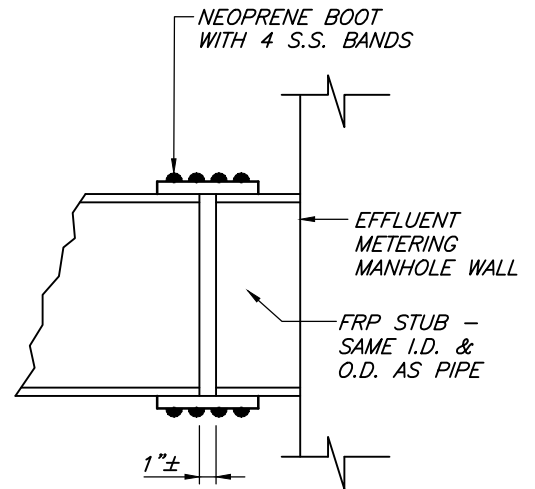
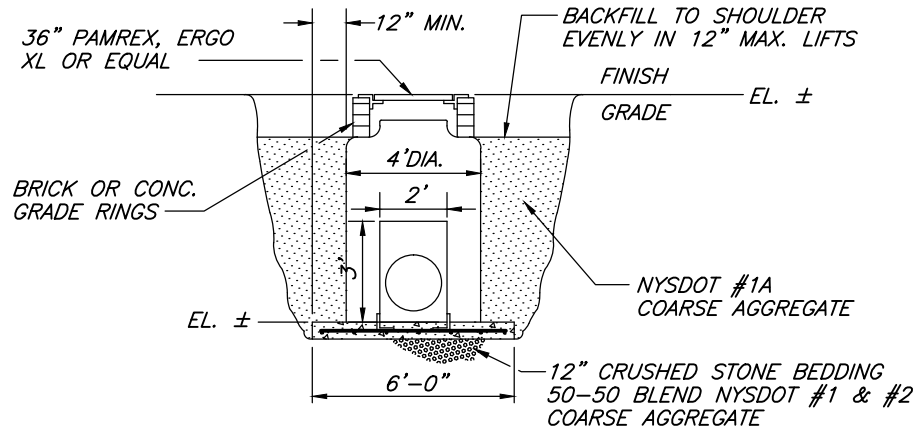


NOTES: INTERIOR OF MANHOLE IS CLASSIFIED AS A CONFINED SPACE HAZARDOUS LOCATION NFPA CLASS 1 DIVISION 1 GROUP C AND D.

**9" PARSHALL FLUME
EFFLUENT METERING MANHOLE DETAIL**
N.T.S.



**TYPICAL STUB/PIPE
CONNECTION DETAIL**
N.T.S.



- NOTE:**
- CARE SHOULD BE TAKEN TO AVOID UNEVEN BACKFILL LOADS ON THE PACKAGED MANHOLE.
 - THE SUPPLIER OF THE EFFLUENT METERING MANHOLE SHALL VERIFY THAT THE FOOTING DESIGN, SHOWN ON THE CONTRACT DRAWINGS, CAN OVERCOME THE EFFECTS OF BUOYANCY WHEN GROUND WATER IS PROJECTED TO GROUND SURFACE.

SECTION
N.T.S.

MARCH 2010

REVISIONS		TOWN OF BATAVIA
DATE	COMMENTS	SANITARY SEWER DETAILS
		9" PARSHALL FLUME EFFLUENT METERING MANHOLE DETAIL
		DRAWING S-17