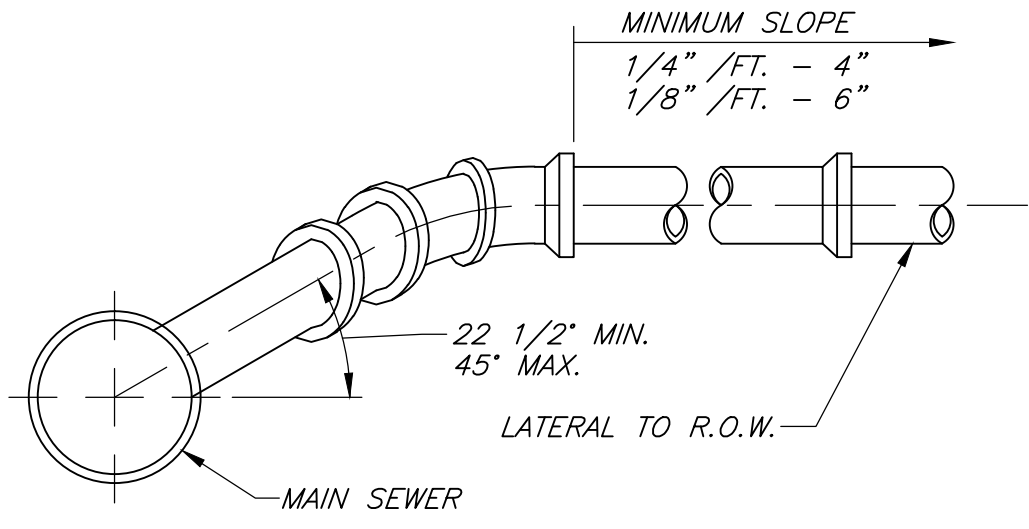


PLAN



SECTION

WYE BRANCH CONNECTION

N.T.S.

MARCH 2010

REVISIONS		TOWN OF BATAVIA
DATE	COMMENTS	SANITARY SEWER DETAILS
		WYE BRANCH CONNECTION
		DRAWING S-09