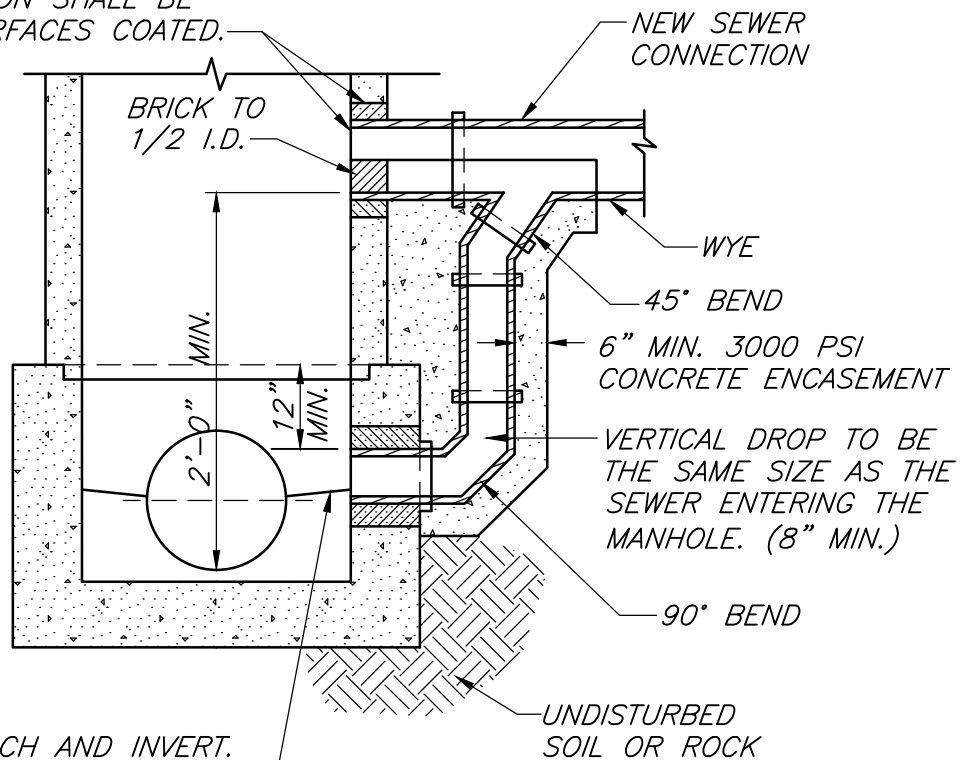


OPENINGS SHALL BE CORED, USE PRESS-SEAL PSX DIRECT DRIVE CONNECTOR. CONNECTION SHALL BE GROUTED AND ALL SURFACES COATED.



CUT OUT EXISTING BENCH AND INVERT. SHAPE NEW INVERT WITH 3000 PSI CONCRETE. USE SEWER BRICK INVERT OR PVC HALF PIPE IF CONTINUOUS. ALL SLOPES ARE 1/2"/FT. MIN.

## EXISTING SANITARY MANHOLE WITH OUTSIDE DROP CONNECTION

N.T.S.

MARCH 2010

REVISIONS		TOWN OF BATAVIA
DATE	COMMENTS	SANITARY SEWER DETAILS
		EXISTING SANITARY MANHOLE WITH OUTSIDE DROP CONNECTION
		DRAWING S-04