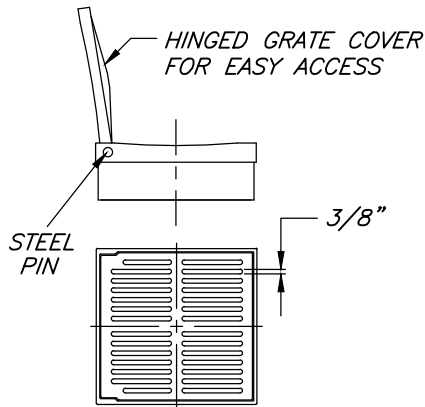
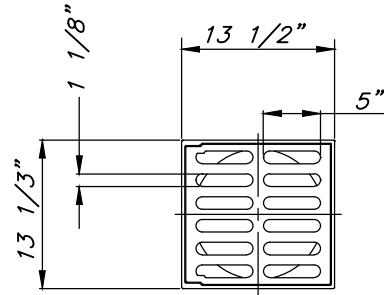


Drawing Name: G:\PROJECTS\BATAVIA\DESIGN CRITERIA\DETAILS\HIGHWAY & STORM\Y-INLET.DWG Date: 06/15/07 Time: 1:27 pm

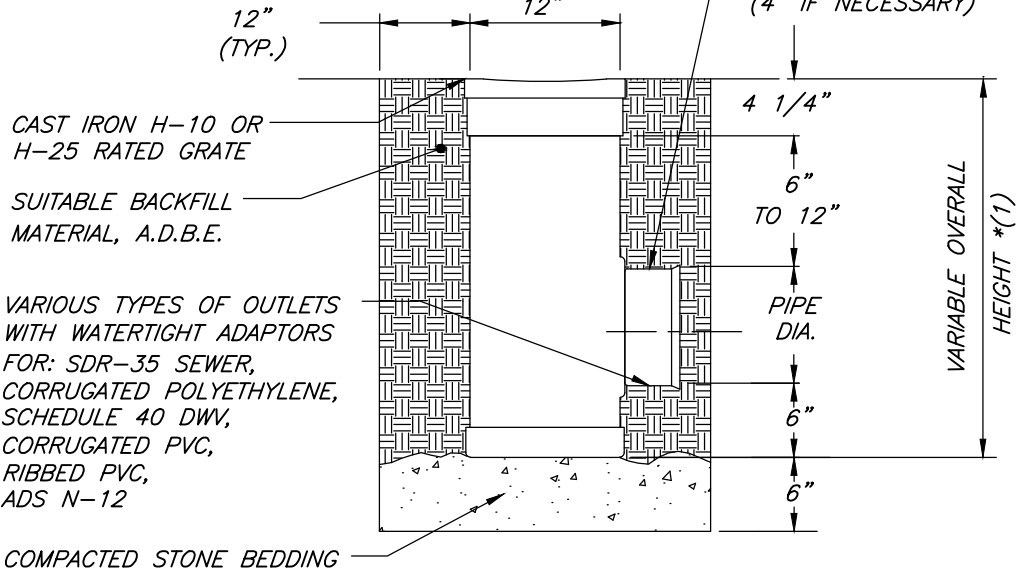


**PEDESTRIAN (H-10) RATED  
DRAINAREA = 51.0 SQ IN**



**STANDARD (H-25) RATED  
DRAINAREA = 60.6 SQ IN**

*MATERIAL: CAST IRON*  
*QUALITY: MATERIAL SHALL CONFORM TO ASTM A48 - CLASS 30B*  
*PAINT : CASTINGS ARE FURNISHED WITH A BLACK PAINT*



**FIELD INLET-STAND PIPE 12"**  
*\* (1) MAXIMUM RECOMMENDED OVERALL HEIGHT 10'*  
*N.T.S.*

JULY 2010

REVISIONS		TOWN OF BATAVIA
DATE	COMMENTS	HIGHWAY & STORM SEWER DETAILS
		<h1>FIELD INLET</h1>
		DRAWING HS-17