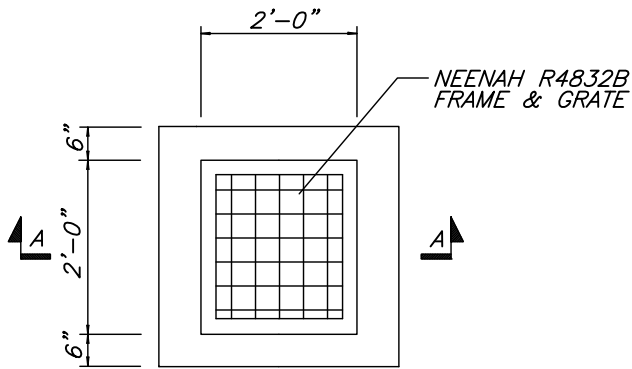
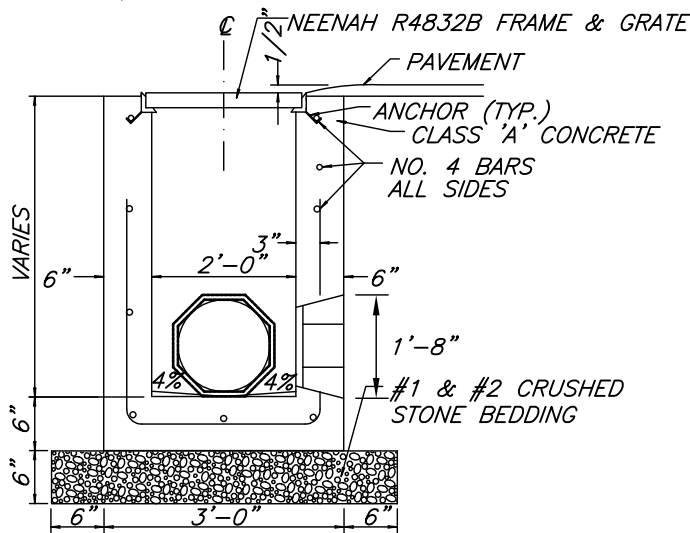


NOTES:

1. CONCRETE SHALL BE 4000 PSI @ 28 DAYS WITH 5%-9% AIR ENTRAINED
2. STEEL REINFORCING SHALL BE GRADE 60-60 KSI AND MEET ASTM A 496-A615
3. CATCH BASIN SHALL MEET OR EXCEED AASHTO HS-20 LOADING
4. ALL KNOCK OUTS SHALL HAVE 2"-2 1/2" THICK CONCRETE WITH A 1" DIAMETER WEEP HOLE
5. GRATE SHALL BE NEENAH R4832B CAST IRON BICYCLE PROOF GRATE. STEEL FRAME SHALL BE RECESSED INTO TOP OF CATCH BASIN. GRATE AND FRAME SHALL BE FLUSH WITH TOP OF CONCRETE.
6. CATCH BASIN SHALL BE KISTNER CONCRETE 24" SQUARE INSIDE DIMENSION CATCH BASIN MODEL #316BS OR APPROVED EQUAL.



PLAN FOR PIPE DIA. LESS THAN 18"



SECTION A-A

CATCH BASIN — NON-CURBED ROADWAY

N.T.S.

ISSUE DATE: AUGUST 2012

REVISIONS		TOWN OF BATAVIA
DATE	COMMENTS	HIGHWAY & STORM SEWER DETAILS
		<h2 style="margin: 0;">STANDARD CATCH BASIN</h2>
		DRAWING HS-16A