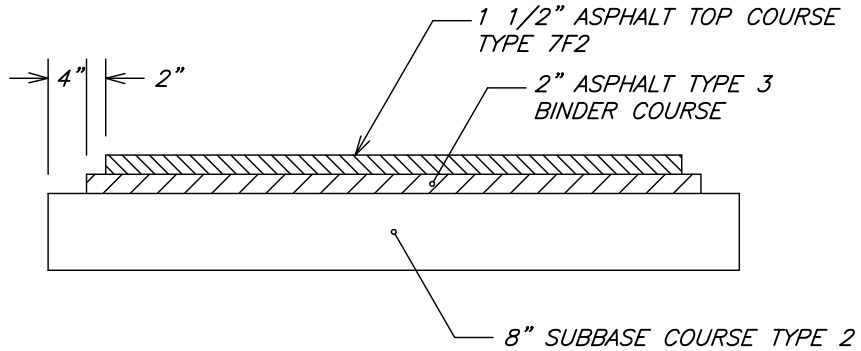
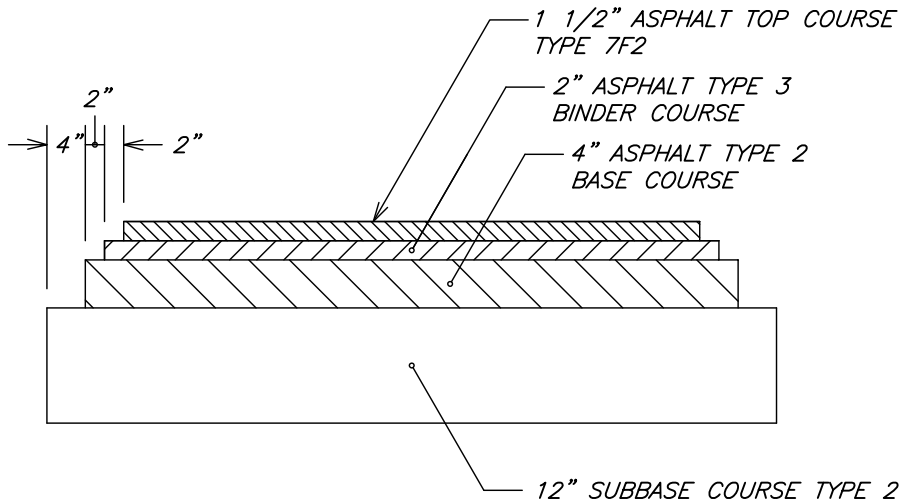


LIGHT DUTY



MEDIUM DUTY



HEAVY DUTY

ASPHALT DRIVEWAY

ISSUE DATE: AUGUST 2012

N.T.S.

| REVISIONS | | TOWN OF BATAVIA |
|-----------|----------|-------------------------------|
| DATE | COMMENTS | HIGHWAY & STORM SEWER DETAILS |
| | | <h1>ASPHALT DRIVEWAY</h1> |
| | | |
| | | |
| | | |
| | | |
| | | |
| | | |